



## Description

The Defender DC Contactor is so tough it can handle environments with extreme temperatures, moisture and high vibration. It is designed to carry currents as low as 350 milliamp and as high as 200 amps. With coil Transient Volt Suppression (TVS), the Defender protects sensitive components in your system. With built-in TVS and wide ranging current capability, it defends with durability, capability and tenacity-which makes it perfect for off-road and emergency equipment. From fire-trucks to earth movers, it will protect your electrical toughness. Quite simply, the Defender is the best defense for your electrical system.

## Defender DC Contactor

Coil Terminals	Deutsch-2pin Connector DT06-25
Contact Studs	5/16-24 Studs
Mounting Bracket	Closed Holes Mounting Bracket
O Ring Material	O rings (7)- Buna N
Standard Operating Temperature Range	-40°C to 85°C

## Specifications

### Coils

Model	Max Sustained Duty Cycle <sup>1</sup>	Max On Time	Pull In Voltage <sup>2</sup>	Hold Voltage <sup>2</sup>	Coil Resist Ohms
12V Cont.	100%	Cont.	6.5	3.2	13.3
24V Cont.	100%	Cont.	12.9	6.5	49.7

### Contact

Resistive Load Carry/Interrupt Capability (Amps) <sup>3</sup>	Inductive Load Carry/Interrupt Capability (Amps) <sup>3</sup>	Peak Inductive Inrush Capability (Amps) <sup>4</sup>	Electrical Cycle Life	Contact Material
200/200	100/100	400	20,000	Silver
100/100	100/100	400	20,000	Silver

Nominal coil voltage applied starting from 25° C DC Contactor temperature. Duty Cycle= on time(on time+off time). Voltages listed are minimum required at 25°C coil temperature. Minimum voltage requirements will increase with coil temperature. Amps at Max Duty Cycle. Rise time  $\geq$  3 milliseconds to 80% of peak inrush with linear decay to run (carry) current in  $\leq$  .1 seconds.

## Ordering Information

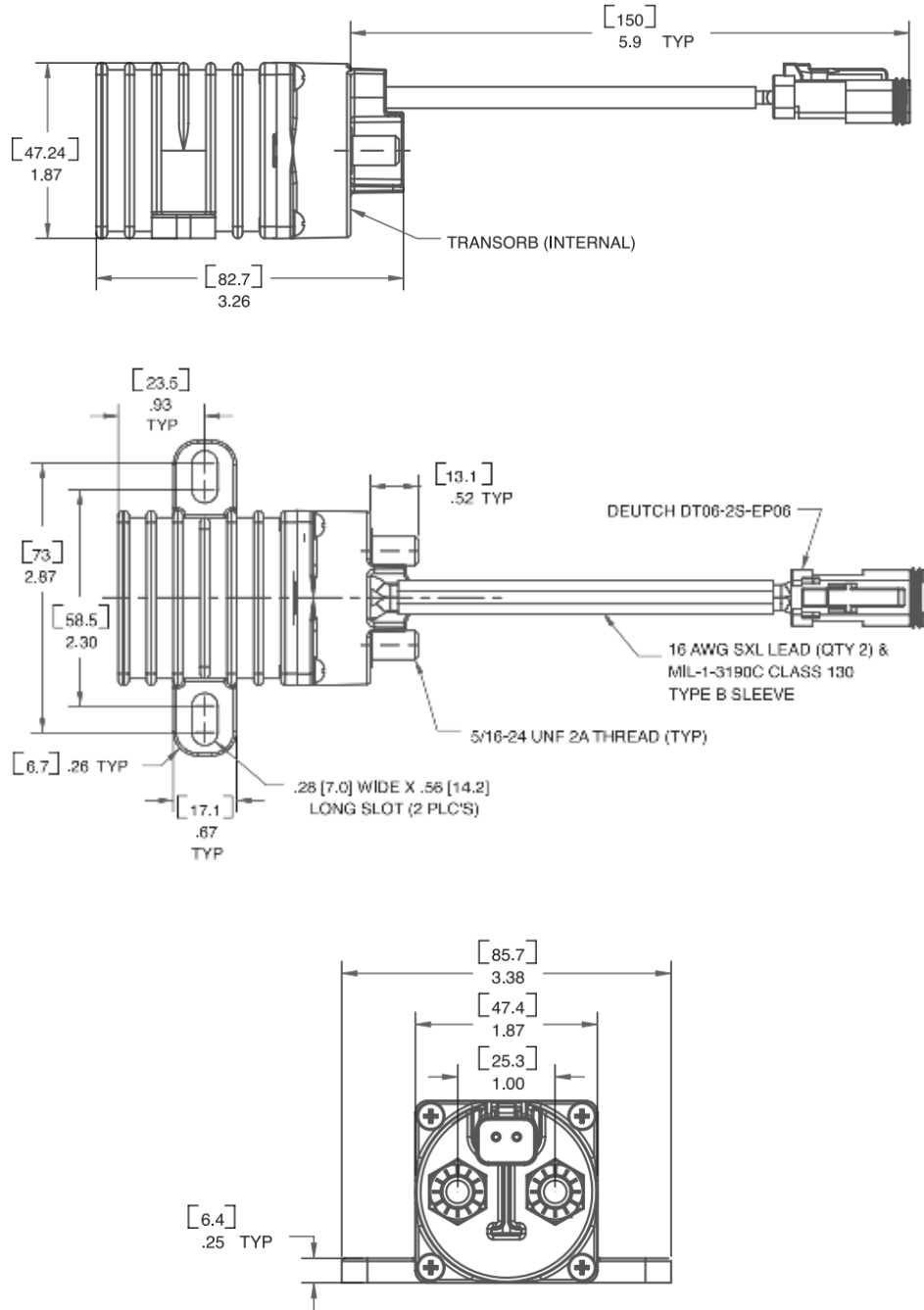
Enter Part Number Below- We are able to customize order. Some configurations are not available. Contact your Trombetta Sales Rep before ordering.

Family	Coil Connection Configuration	High Current Stud	Coil Voltage	Bracket Type	Bracket Location	Duty Cycle	Contact Material	Sealing
4	0	4	—			—		
4- Defender	0- Ungrounded Leads	4- Standard Defender	12- 12 Volt 24- 24 Volt	3- Standard Housing	1- Standard Location Fixed by Housing	0- 100% Sustained Continuous	3- Silver	2- Sealed Design

Note: 2 5/16 - 24 Nuts are provided as standard



## Product Dimensions



This product is RoHS 3, REACH and Conflict Free Compliant

