



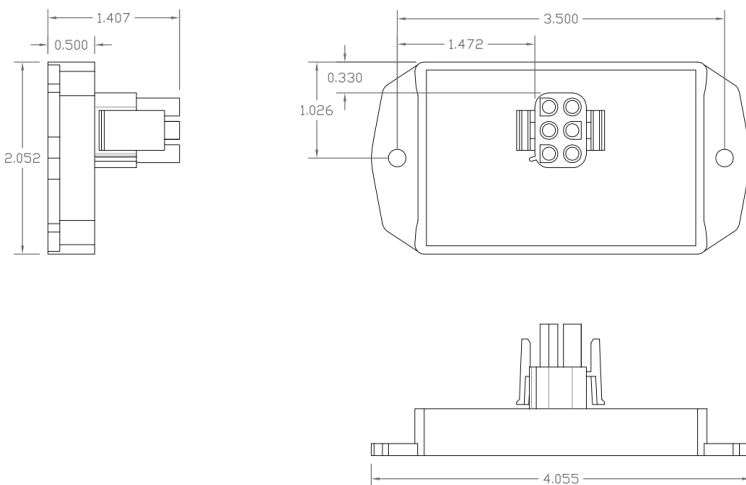
Description

This 2 output device will operate a 2 or 4 headlight system and flash each output at a frequency of 115 times per minute. In low light conditions, the low beam lamps remain "ON" and the high beam lamps flash to draw attention to the vehicle. When the high beam lamps are activated, the flashing sequence is turned off and remains off until the high beam lamps are deactivated.

Features

- Operating voltage range of 8-32 VDC
- Reverse battery protection
- Voltage transient protection
- Short circuit and over load protection
- Up to 10.0A per output
- Small footprint
- Potted - protection from harsh environments
- Easy 2 point mounting / rugged ABS housing
- Customizable

Product dimensions



CONNECTOR PIN OUT

- 1- MAIN POWER, 8-32V
- 2- ENABLE SWITCH (8-32V = ON)
- 3- HIGH BEAM OUT 1
- 4- GROUND (NEGATIVE BATTERY)
- 5- PARK INPUT
- 6- HIGH BEAM OUT 2

